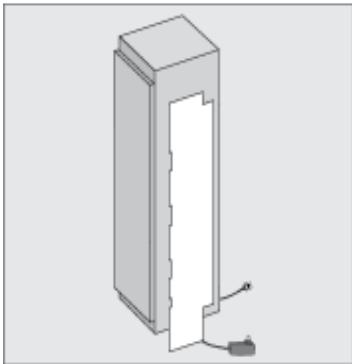


MasterCool Refrigeration Side-by-Side Merging Combinations For SF Models

KSK 1002



Side-by-Side Merging Kit KSK 1002



SPECIFICATIONS

KSK 1002 — Item 38996010USA

Electrical

Electrical Requirements - Volts/Amps	110V / 120V, 60Hz, 15 Amps In a side-by-side installations, a separate outlet must be used for each appliance.
--------------------------------------	---

Power Cord	NEMA 1-15 plug, 9' 3" ft (2.8 m)
------------	----------------------------------

Support

Call Miele	(800) 999-1360
------------	----------------

Miele Website	www.mieleusa.com
---------------	--

20/20 Link	2020technologies.com
------------	--

This merging kit should be used for side-by-side installation of the following models:

- K 18x1 SF, K 19x1 SF, K 18x3 SF, K 19x3 SF
- F 14x1 SF, F 18x1 SF, F 19x1 SF, F 14x3 SF, F 18x3 SF, F 19x3 SF
- KF 18x1 SF, KF 19x1 SF, KF 18x3 SF, KF 19x3 SF
- KWT 16x1 SF, KWT 16x3 SF

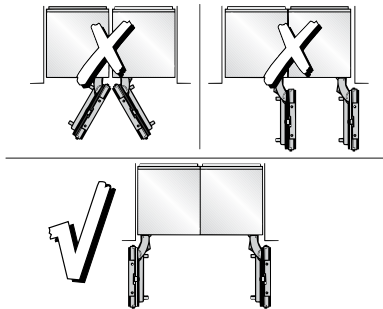
For side-by-side installation of appliances with a stainless-steel front (SF), you also need a **Top-frame**. Please contact Miele to obtain a top-frame in the required width. The width of the Top-frame corresponds to the totale width of you side-by-side combination.

Side-by-Side Merging Kit KSK 1002



Side-by-side

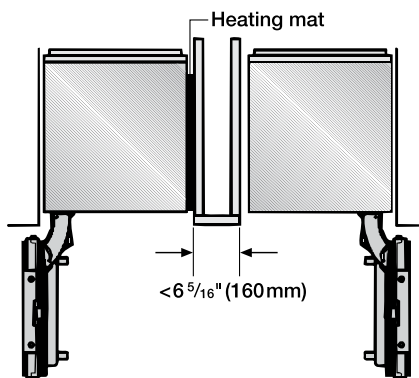
... without partition



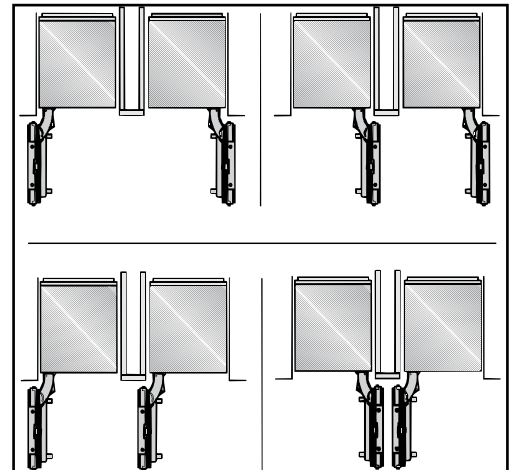
If the appliances are installed directly next to each other (without a partition), they need to be attached together. A heating mat must also be installed. This will help avoid condensation and prevent damages.

... with partition

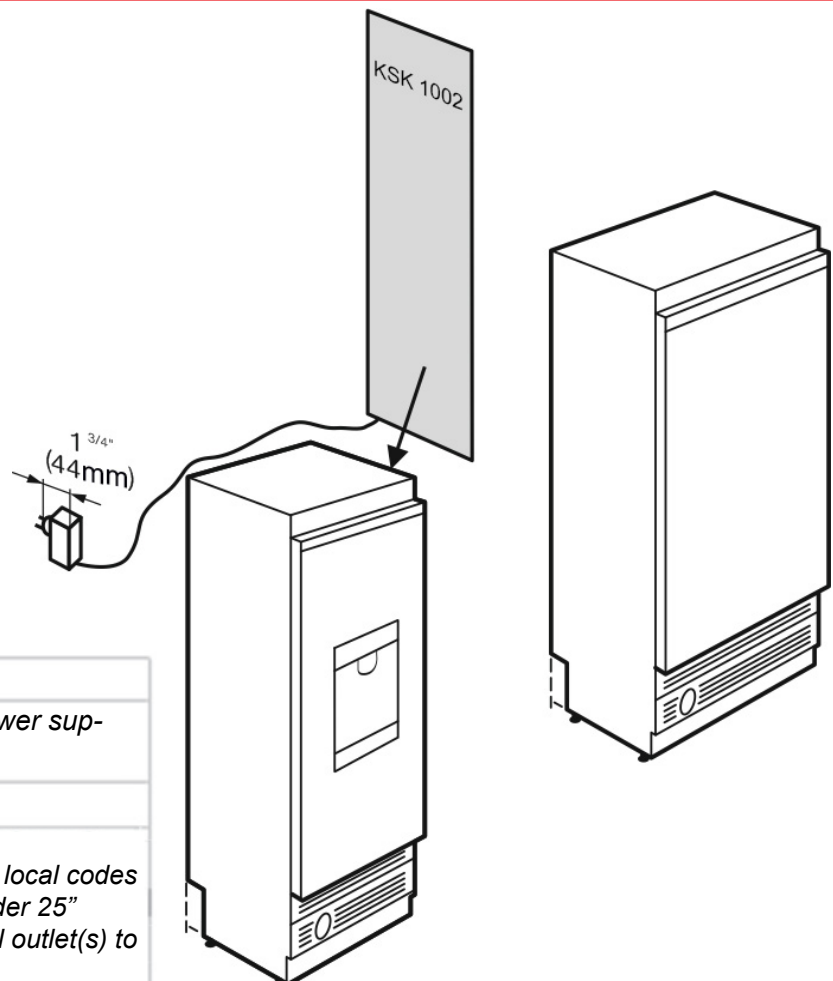
If there is a partition with a thickness **less than 6 5/16" (160 mm)** between the adjacent appliances, then each appliance should be individually installed within its own niche using the mounting accessories included.



In this case, you will only need the heating mat from the "Merging kit" to avoid condensation and prevent damages.



HEATING MAT TRANSFORMER PLUG DETAILS FOR KSK 1002



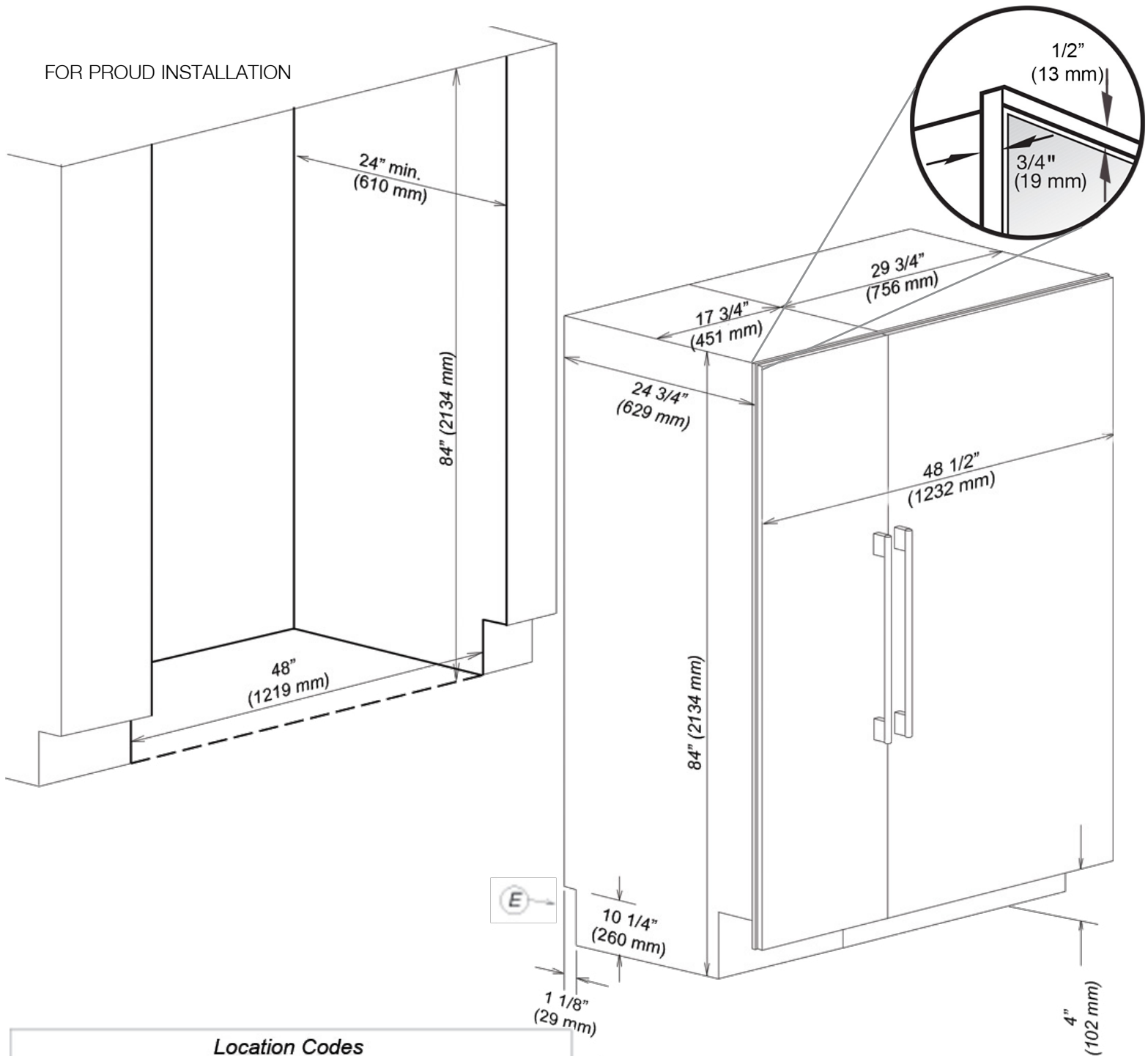
Location Codes

- KSK 1002- 9 foot- NEMA 1-15 molded plug power supply

Notes

- Merging kit must be used when combining units
- All Installations must be done in accordance with local codes
- Installation with KSK 1002 with a niche depth under 25" (635 mm) will require the location of the Electrical outlet(s) to be in adjacent cabinetry

Product and Cut-out Dimensions 48" Side-by-Side Combination



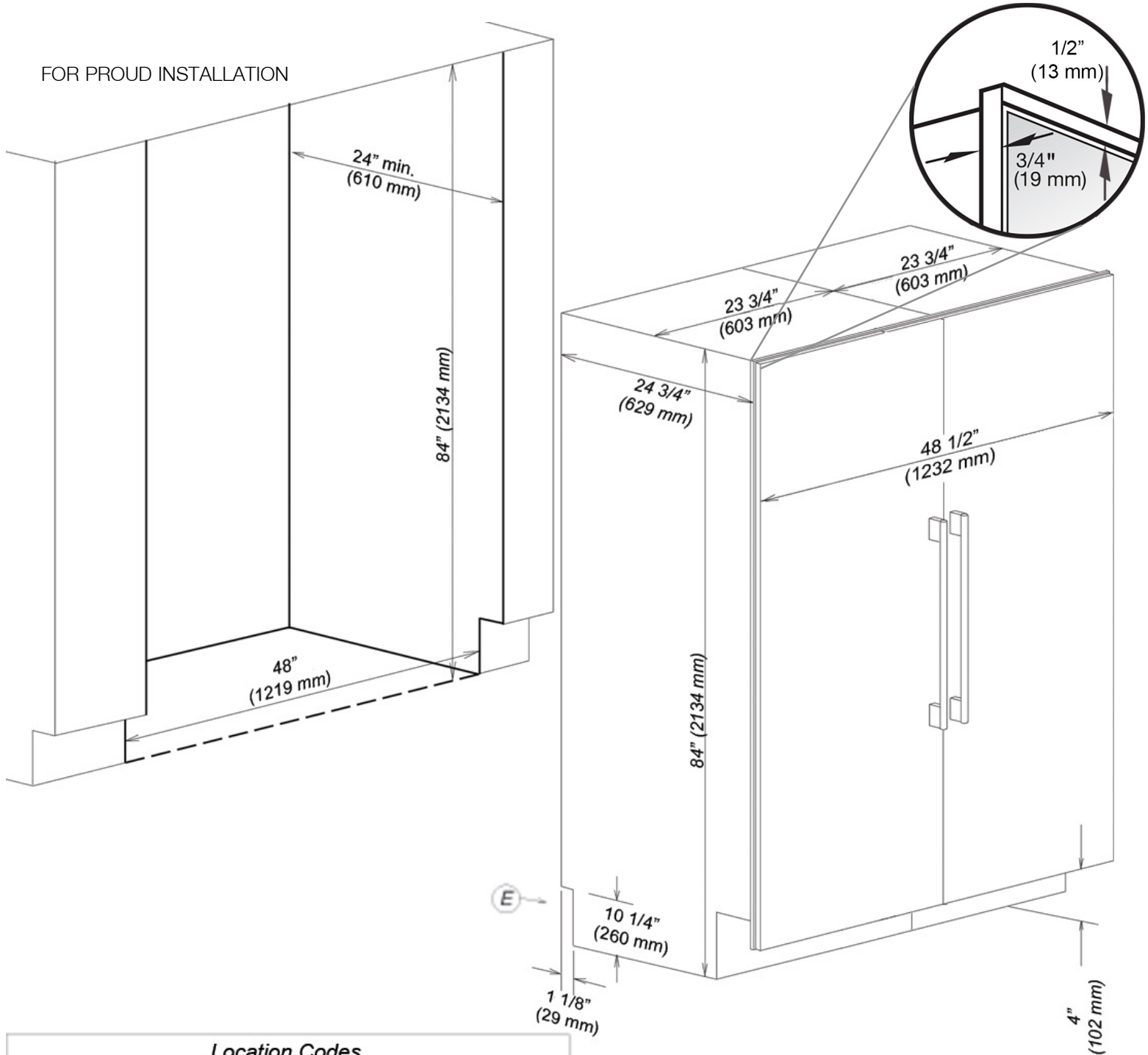
Location Codes

E- power cord for refrigeration unit- 5 foot- NEMA 5-15 molded plug power cord connects lower left rear of units

Notes

- Merging kit must be used when combining units
- KFT1048SS top frame piece must be used when combining units
- All Installations must be done in accordance with local codes
- Sides of adjoining cabinets should be filled (flush to frame) to insure proper fit and finish
- Installation with KSK 1002 with a niche depth under 25" (635 mm) will require the location of the Electrical outlet(s) to be in adjacent cabinetry

Product and Cut-out Dimensions 48" Side-by-Side Combination



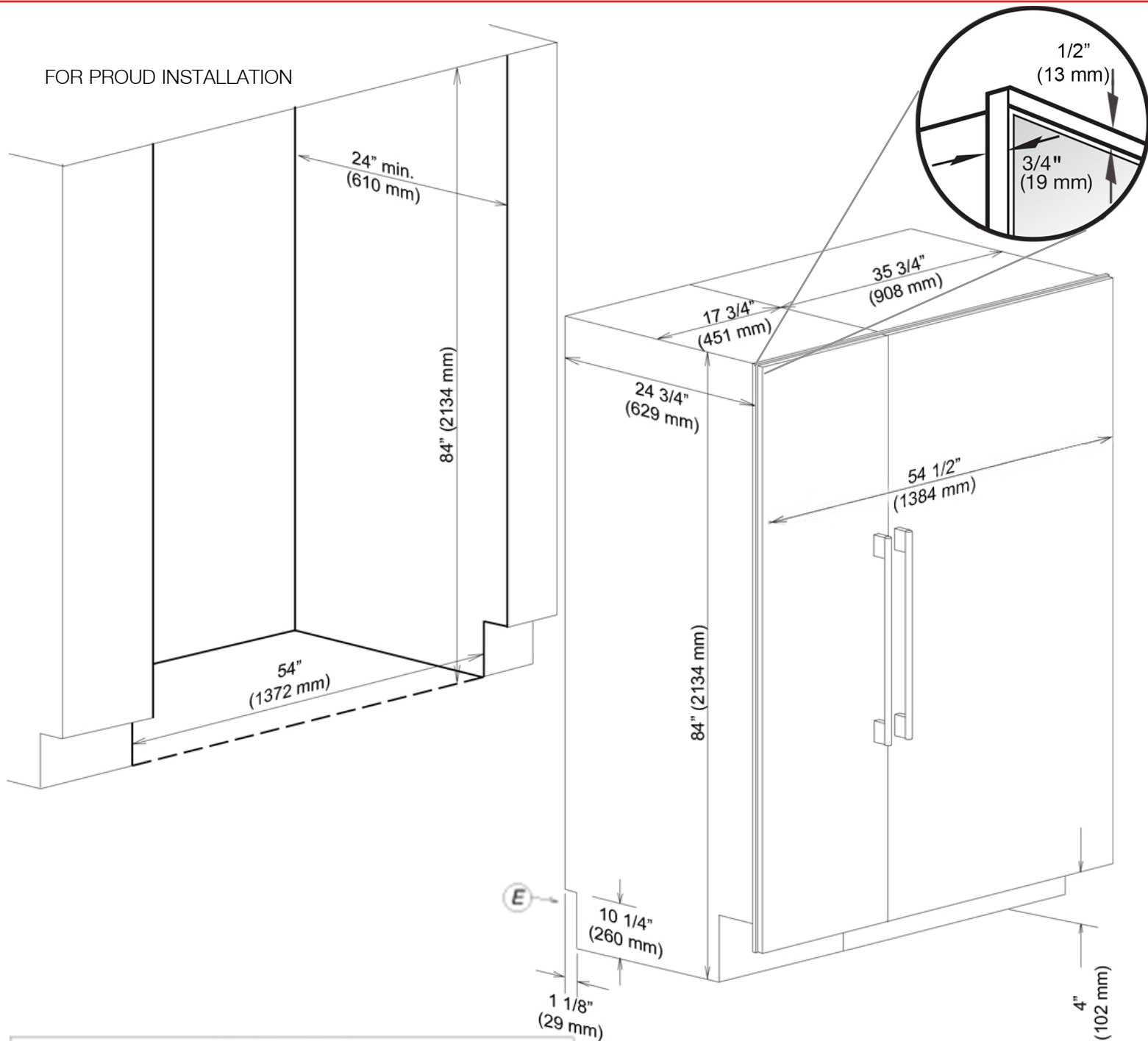
Location Codes

E- power cord for refrigeration unit- 5 foot- NEMA 5-15 molded plug power cord connects lower left rear of units

Notes

- Merging kit must be used when combining units
- KFT1048SS top frame piece must be used when combining units
- All Installations must be done in accordance with local codes
- Sides of adjoining cabinets should be filled (flush to frame) to insure proper fit and finish
- Installation with KSK 1002 with a niche depth under 25" (635 mm) will require the location of the Electrical outlet(s) to be in adjacent cabinetry

Product and Cut-out Dimensions 54" Side-by-Side Combination



Location Codes

E- power cord for refrigeration unit- 5 foot- NEMA 5-15 molded plug power cord connects lower left rear of units

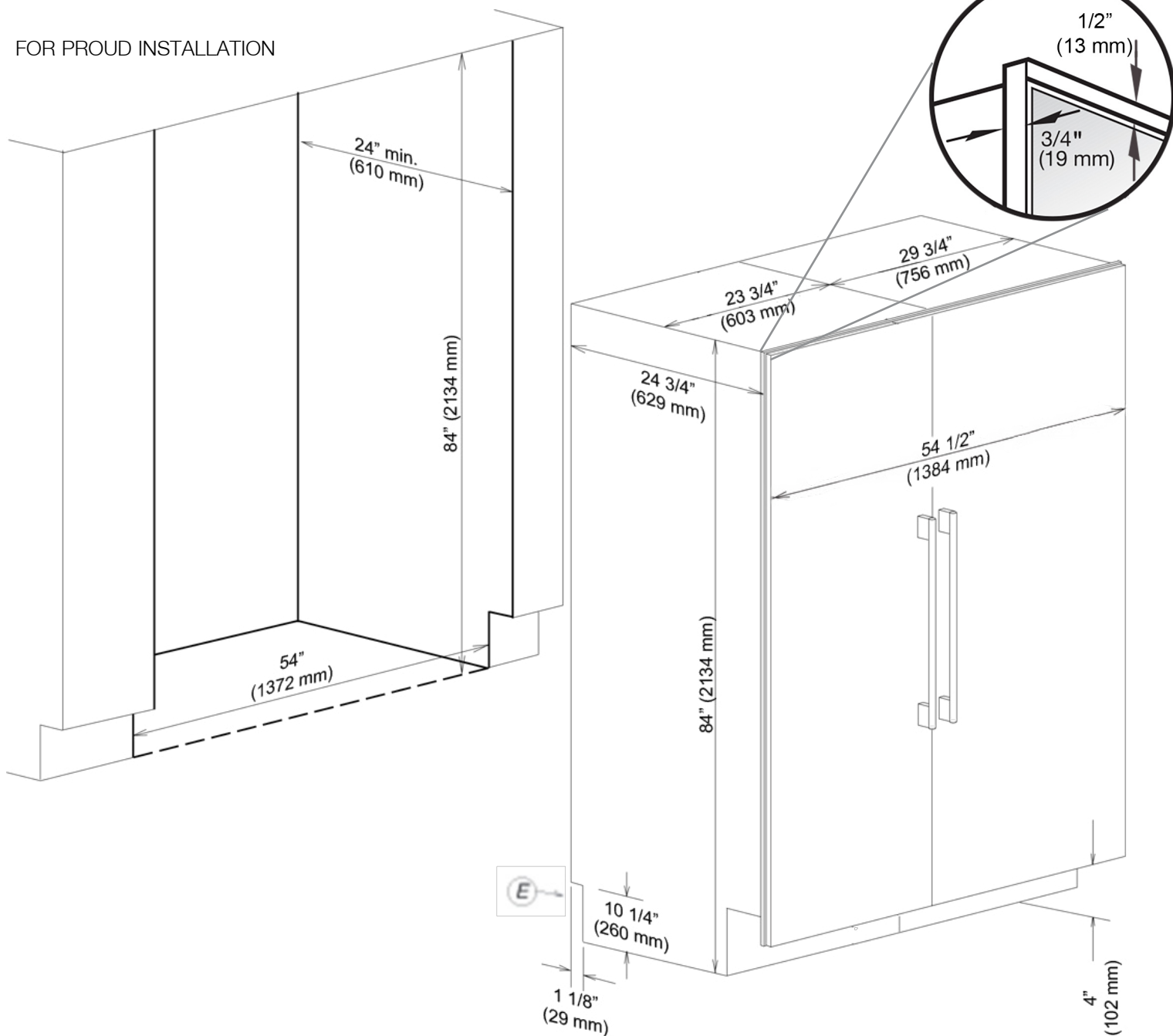
Notes

- Merging kit must be used when combining units
- KFT1054SS top frame piece must be used when combining units
- All Installations must be done in accordance with local codes
- Sides of adjoining cabinets should be filled (flush to frame) to insure proper fit and finish
- Installation with KSK 1002 with a niche depth under 25" (635 mm) will require the location of the Electrical outlet(s) to be in adjacent cabinetry

Product and Cut-out Dimensions 54" Side-by-Side Combination



FOR PROUD INSTALLATION



Location Codes

E- power cord for refrigeration unit- 5 foot- NEMA 5-15 molded plug power cord connects lower left rear of units

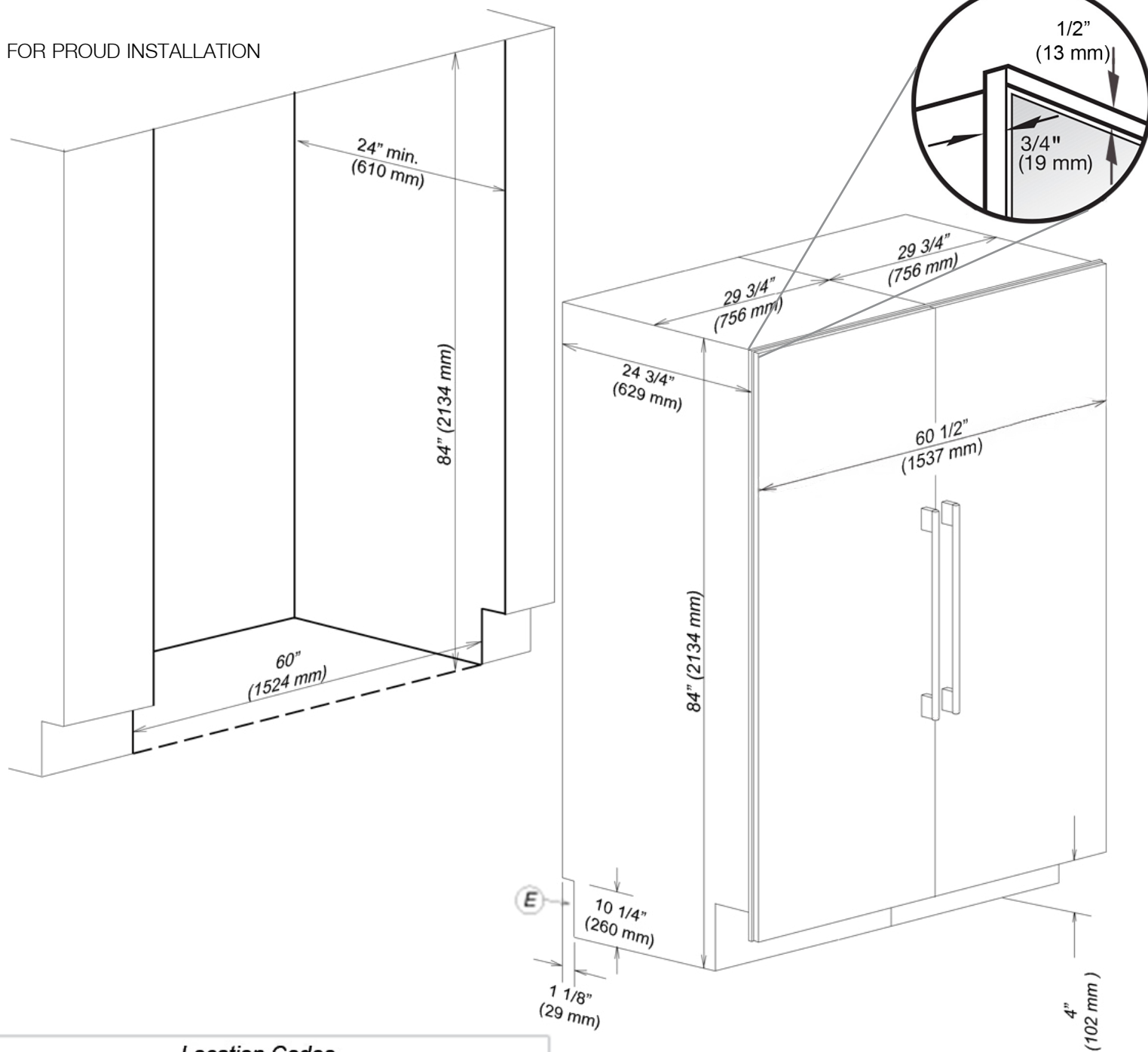
Notes

- Merging kit must be used when combining units
- KFT1054SS top frame piece must be used when combining units
- All Installations must be done in accordance with local codes
- Sides of adjoining cabinets should be filled (flush to frame) to insure proper fit and finish
- Installation with KSK 1002 with a niche depth under 25" (635 mm) will require the location of the Electrical outlet(s) to be in adjacent cabinetry

Product and Cut-out Dimensions 60" Side-by-Side Combination



FOR PROUD INSTALLATION



Location Codes

E- power cord for refrigeration unit- 5 foot- NEMA 5-15 molded plug power cord connects lower left rear of units

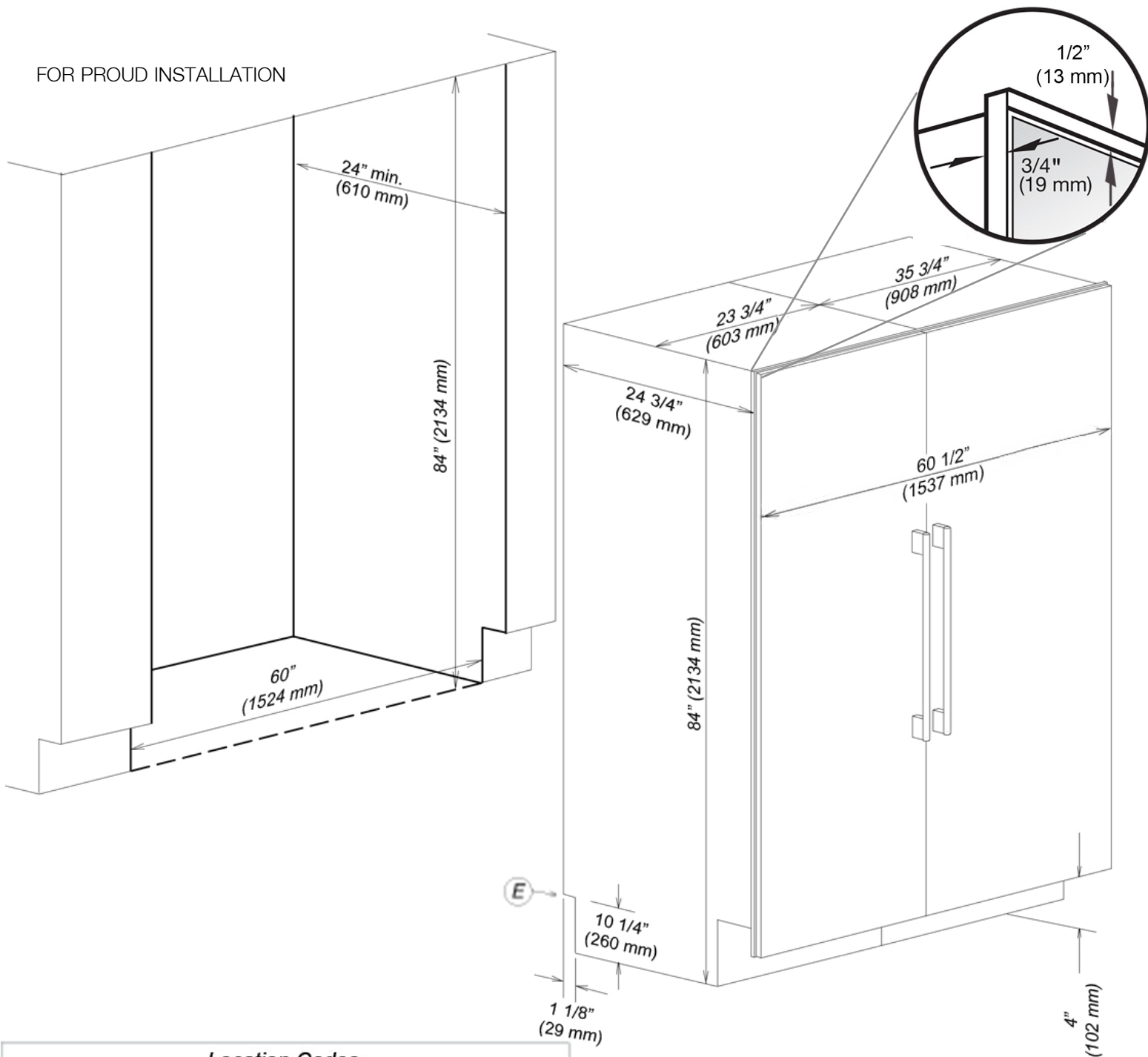
Notes

- Merging kit must be used when combining units
- KFT1060SS top frame piece must be used when combining units
- All Installations must be done in accordance with local codes
- Sides of adjoining cabinets should be filled (flush to frame) to insure proper fit and finish
- Installation with KSK 1002 with a niche depth under 25" (635 mm) will require the location of the Electrical outlet(s) to be in adjacent cabinetry

Product and Cut-out Dimensions 60" Side-by-Side Combination



FOR PROUD INSTALLATION



Location Codes

E- power cord for refrigeration unit- 5 foot- NEMA 5-15 molded plug power cord connects lower left rear of units

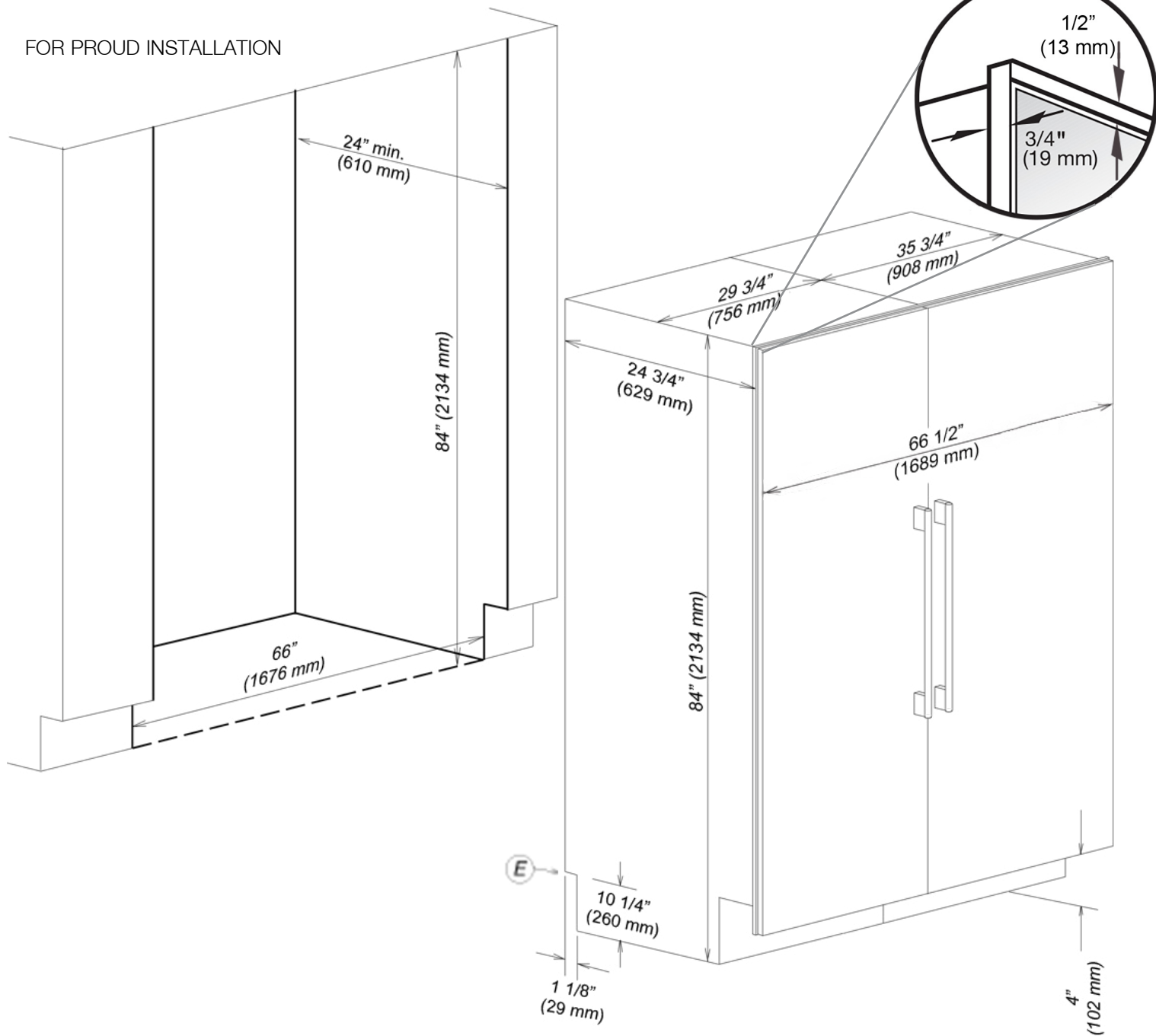
Notes

- Merging kit must be used when combining units
- KFT1060SS top frame piece must be used when combining units
- All Installations must be done in accordance with local codes
- Sides of adjoining cabinets should be filled (flush to frame) to insure proper fit and finish
- Installation with KSK 1002 with a niche depth under 25" (635 mm) will require the location of the Electrical outlet(s) to be in adjacent cabinetry

Product and Cut-out Dimensions 66" Side-by-Side Combination



FOR PROUD INSTALLATION



Location Codes

E- power cord for refrigeration unit- 5 foot- NEMA 5-15 molded plug power cord connects lower left rear of units

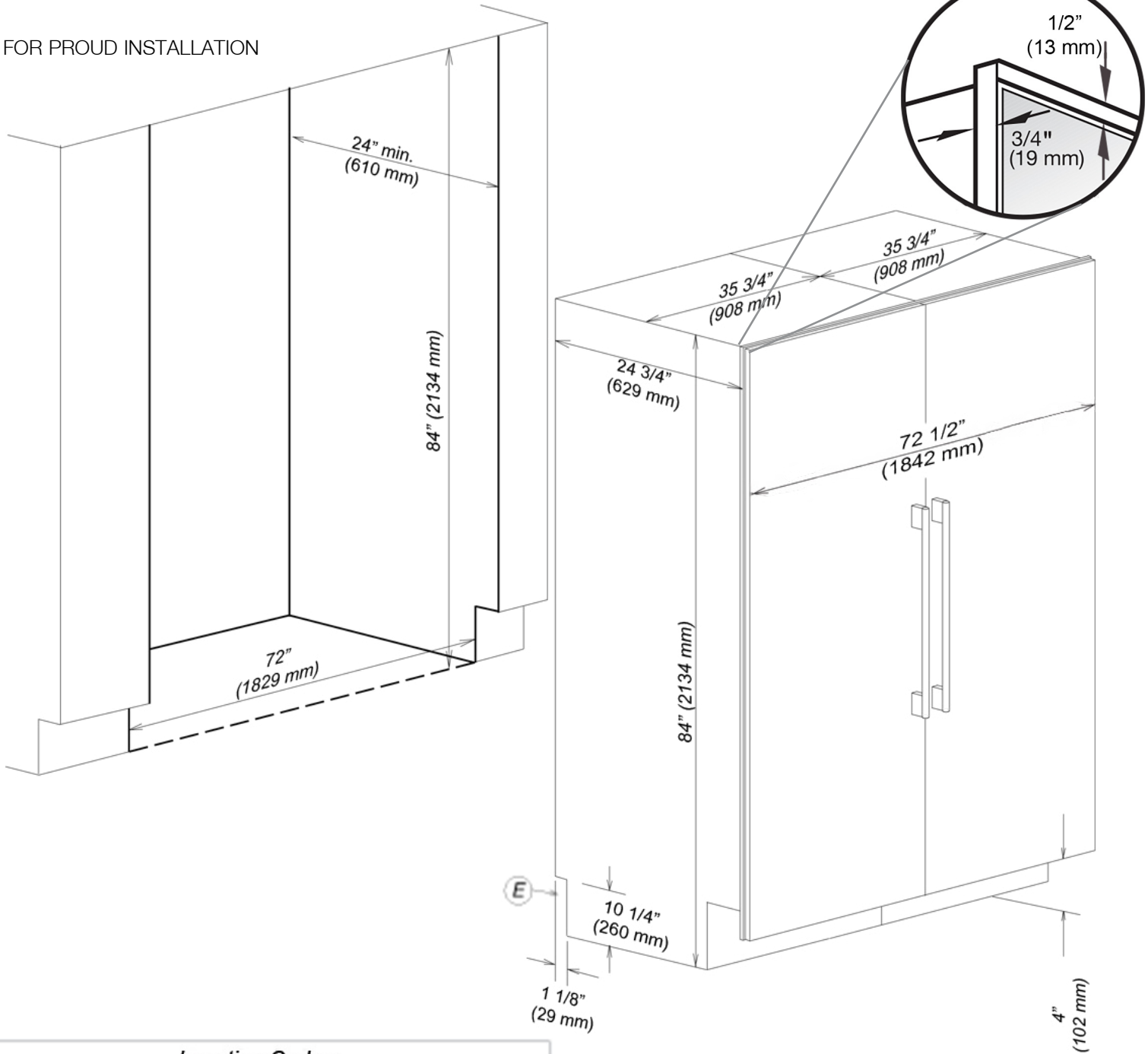
Notes

- Merging kit must be used when combining units
- KFT1066SS top frame piece must be used when combining units
- All Installations must be done in accordance with local codes
- Sides of adjoining cabinets should be filled (flush to frame) to insure proper fit and finish
- Installation with KSK 1002 with a niche depth under 25" (635 mm) will require the location of the Electrical outlet(s) to be in adjacent cabinetry

Product and Cut-out Dimensions 72" Side-by-Side Combination



FOR PROUD INSTALLATION



Location Codes

E- power cord for refrigeration unit- 5 foot- NEMA 5-15 molded plug power cord connects lower left rear of units

Notes

- Merging kit must be used when combining units
- KFT1072SS top frame piece must be used when combining units
- All Installations must be done in accordance with local codes
- Sides of adjoining cabinets should be filled (flush to frame) to insure proper fit and finish
- Installation with KSK 1002 with a niche depth under 25" (635 mm) will require the location of the Electrical outlet(s) to be in adjacent cabinetry